

Tools needed



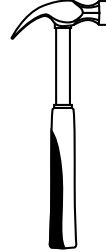
x 1 Philips screwdriver



x 1 Power Drill + 10mm
drill bit



x 1 small flat head screwdriver



x 1 Hammer



x 1 Stanley knife



x 1 Wire cutter



x 1 Tape Measure



x 1 Marker Pen

Check list

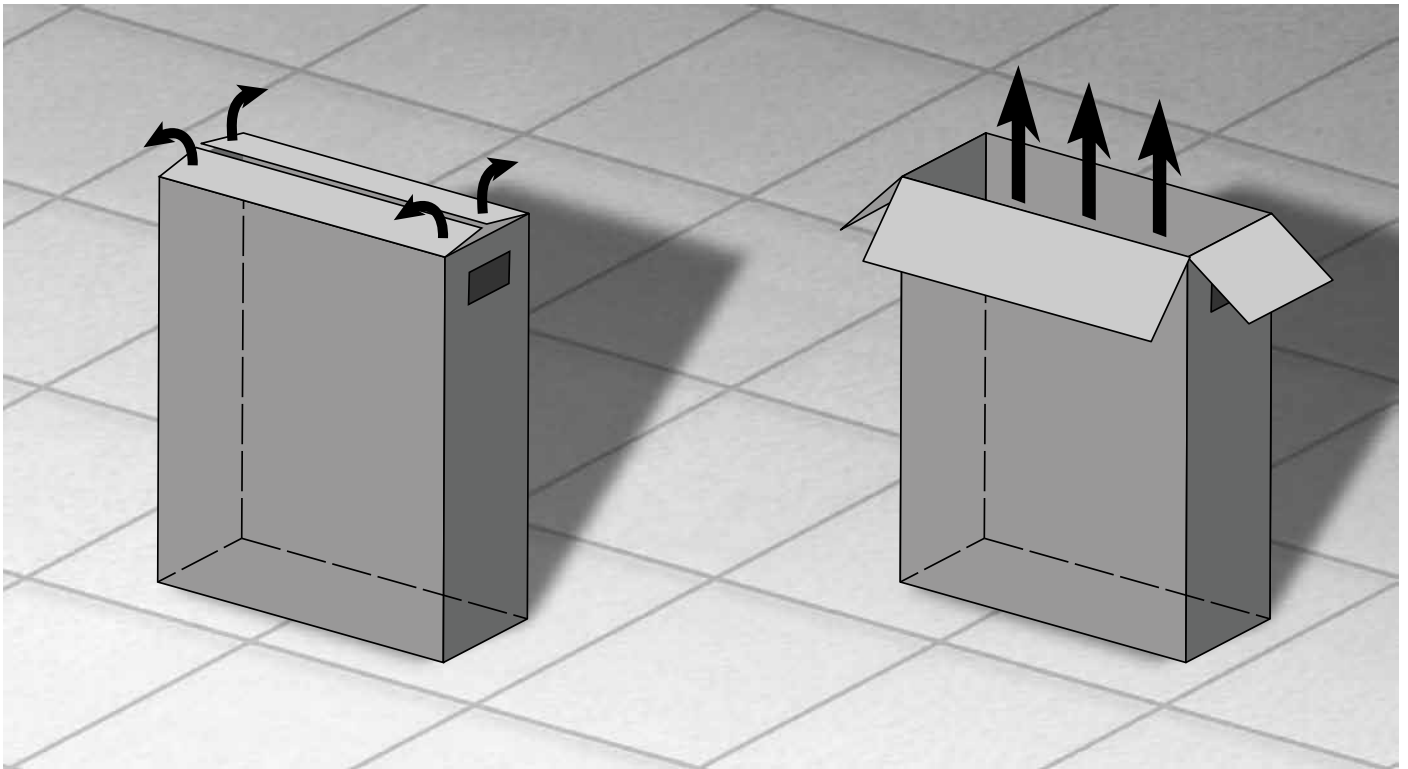


x 4 10mm wall plugs

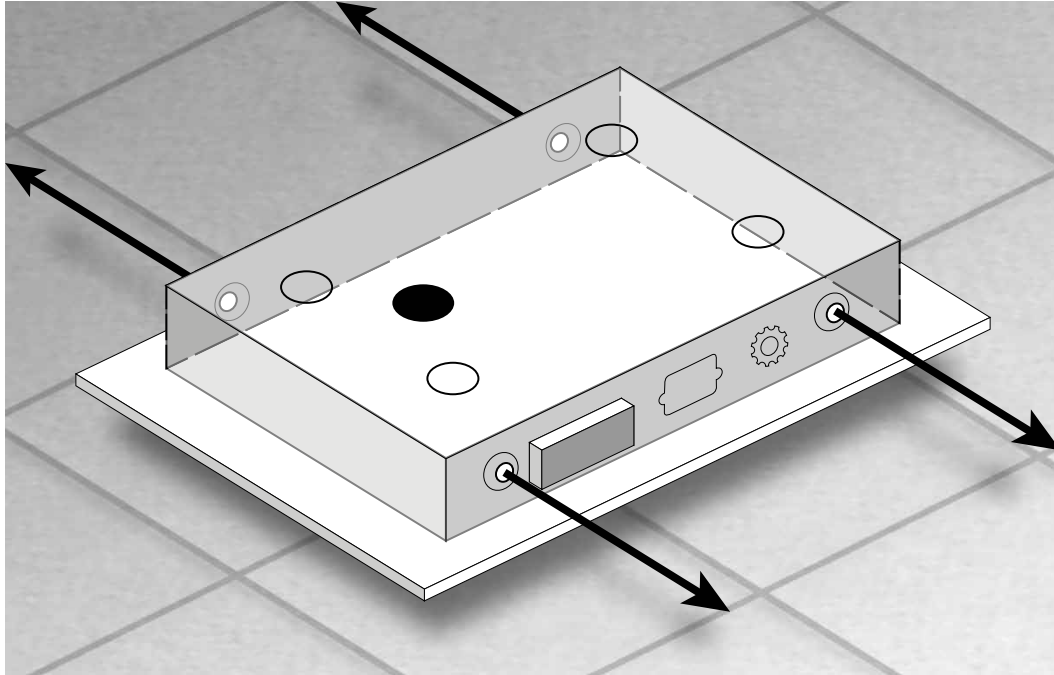


x 4 10mm screws

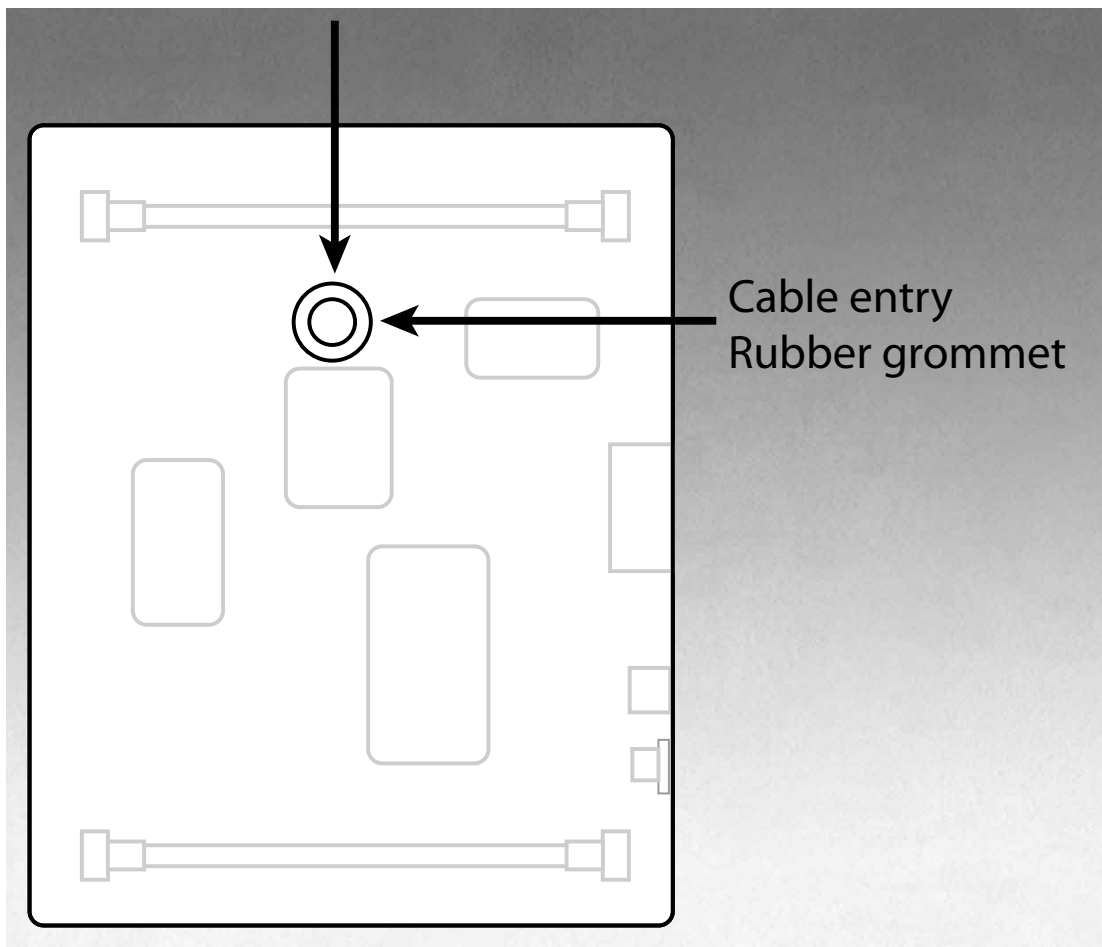
Step 1: Use Stanley knife to open boxes and carefully remove mirror/cabinet from packaging. Check thoroughly for faults/damage.



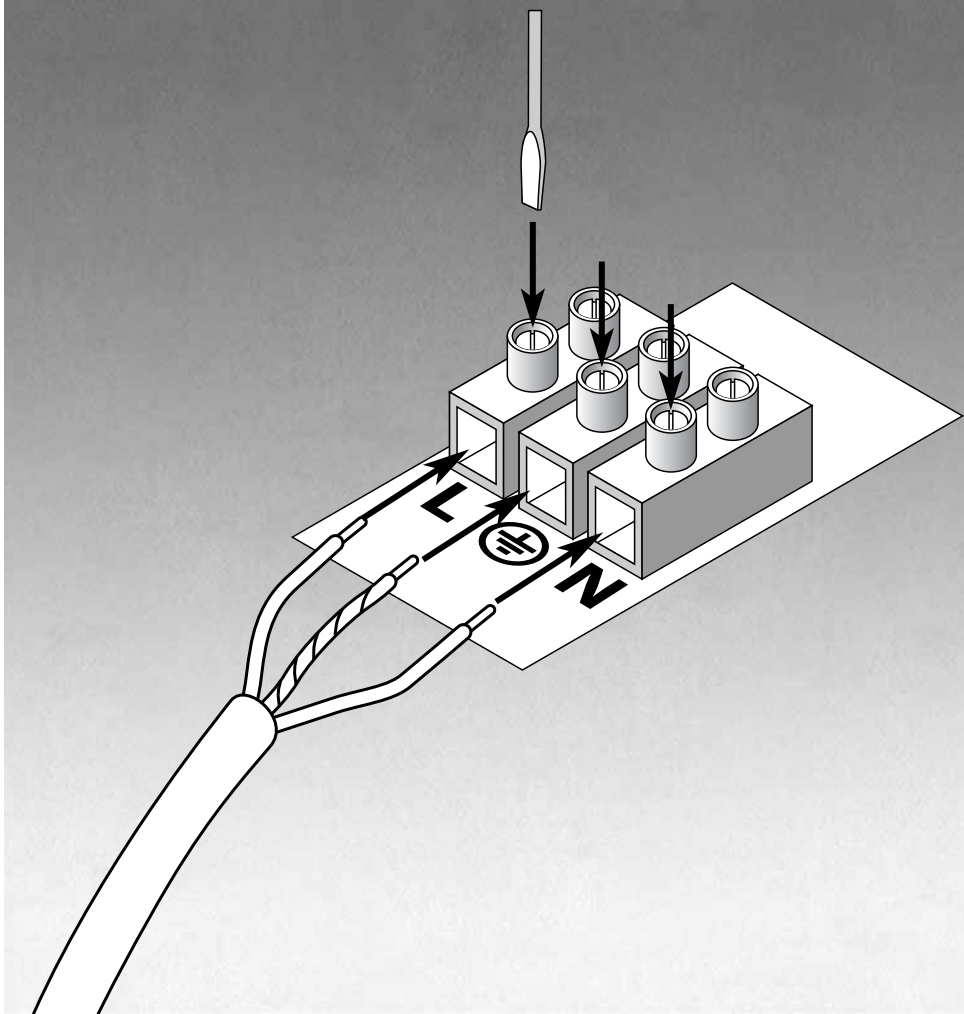
Step 2: Place Mirror face down and unscrew the 4 screws that secure the back box to the glass.



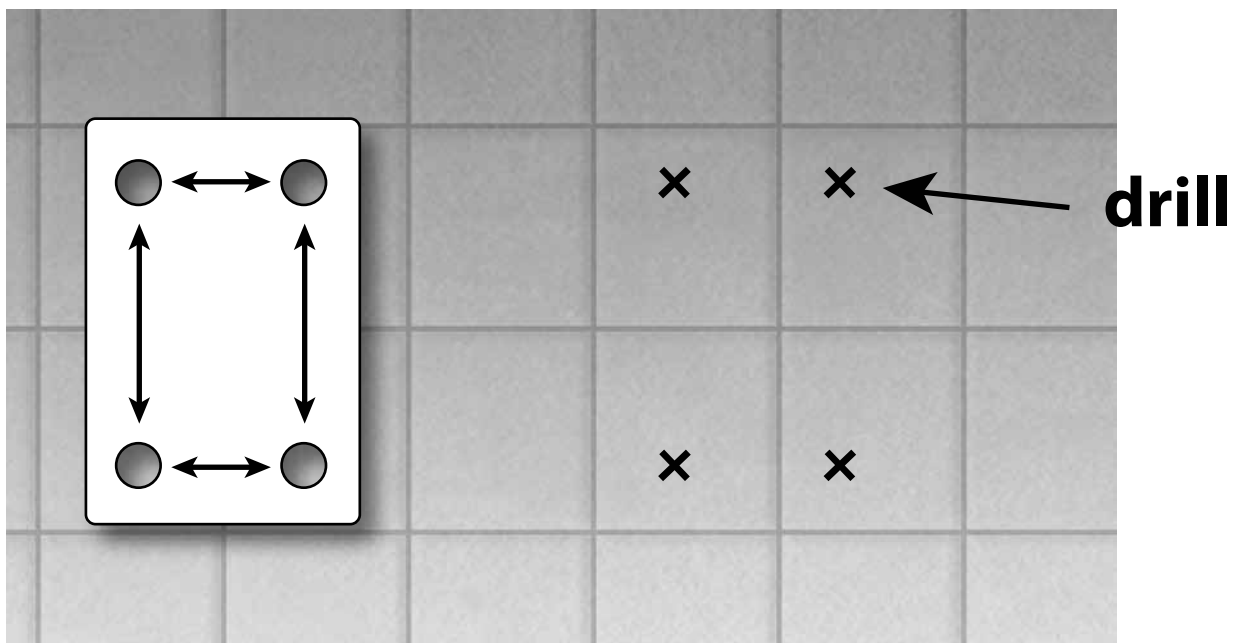
**Step 3: The mirror will now be in two parts.
Take the back box and feel the mains cable through the cable entry grommet.**



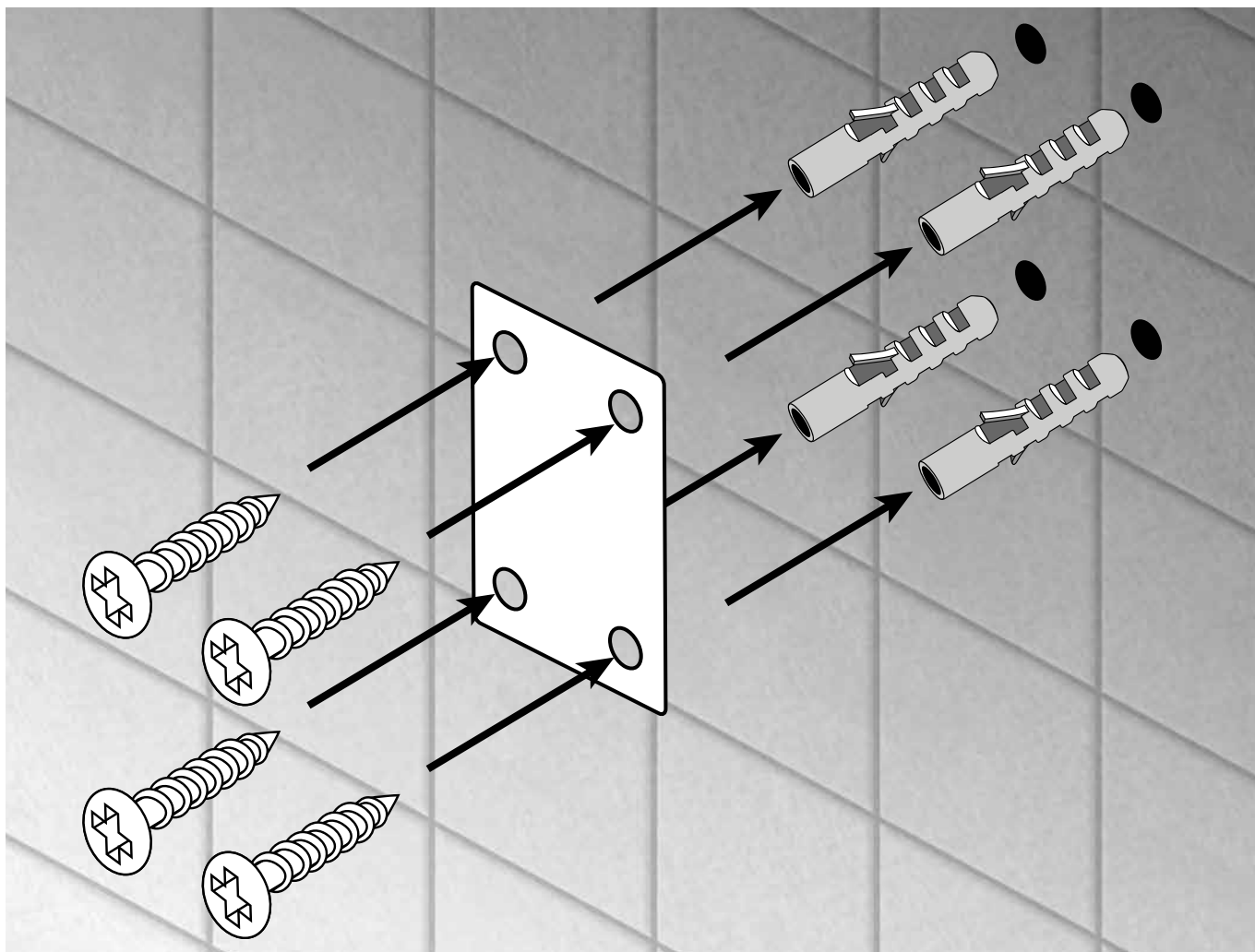
Step 4: Connect your earth, live and neutral wire to specified points on your block terminal.
L = Live (Brown wire), N = Neutral (Blue wire), \oplus = Earth (Green and Yellow wire)
and fasten with small flathead screwdriver.



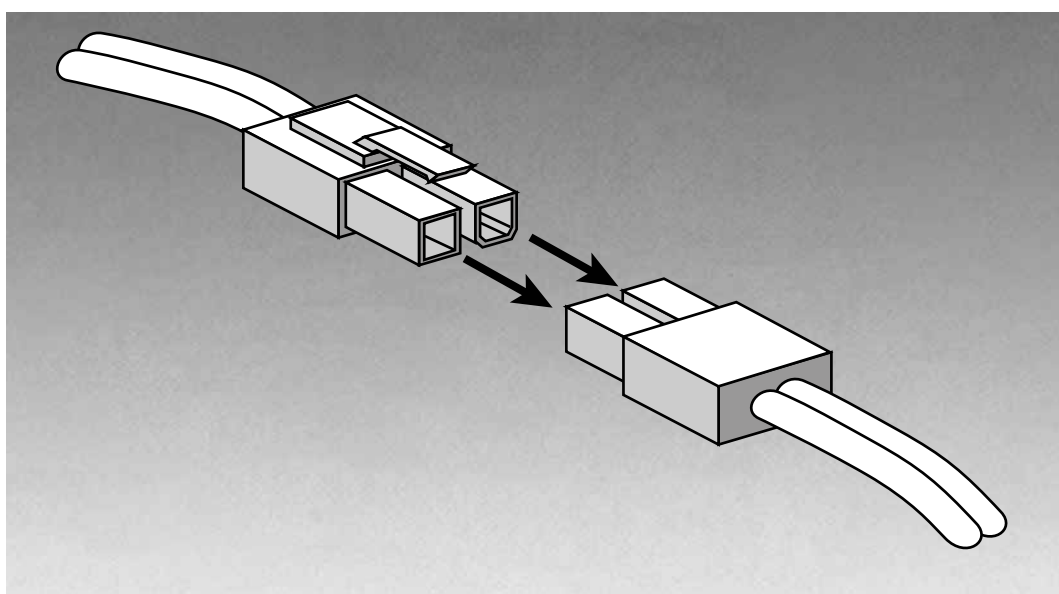
Step 5: measure the hanging points on mirror, drill holes in wall to reflect measurements.



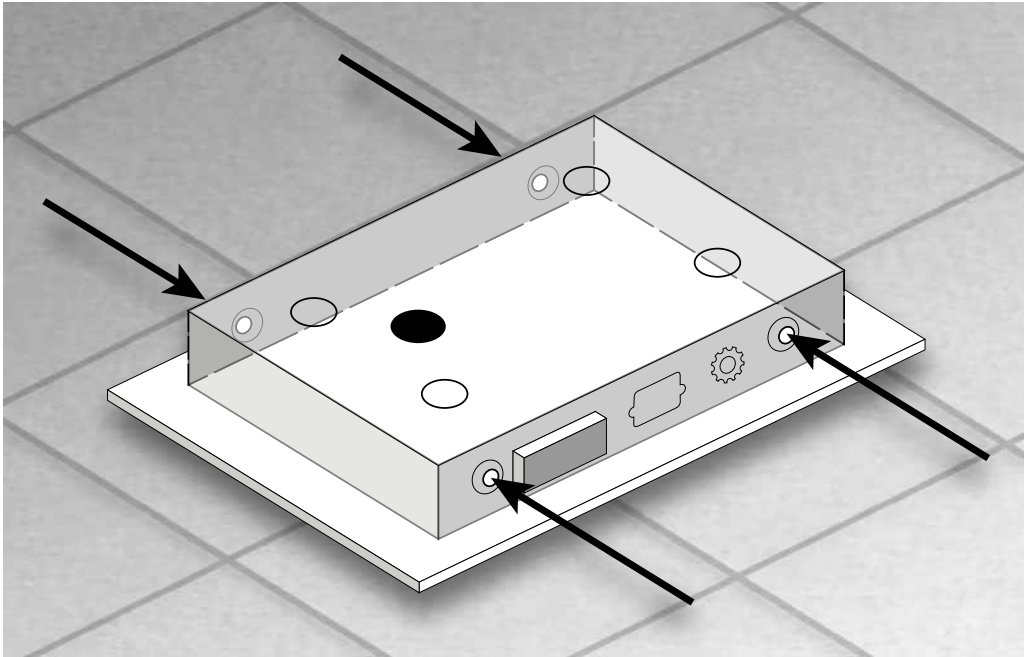
Step 6: Hammer wall plugs in drilled holes, then place the back box over the holes and screw into wall.



Step 7: Once the back box is secured to the wall, take the face of the mirror and connect the two pronged demister cable.



Step 8: Place the mirror face over the back box and secure face with original 4 screws.



Step 9: Installation is complete. Test mirror to ensure it is working correctly.

